



## FRIENDS OF THE ARTS CENTRE OF CHRISTCHURCH

Dear Friends,

It is with great pleasure that the Executive Committee of the *Friends of the Arts Centre of Christchurch* publishes its first newsletter. We welcome you as foundation members and encourage you to continue to be involved and encourage others to join the Friends.

Our inaugural event at the Spectrum Street Art Exhibition at the YMCA on 26 March was a great success. The event featured outstanding musical performances from the children of the Specialist Music Programme, based at Westburn Primary School.

The event was well attended by many supporters. Arts Centre CEO, André Lovatt, said that the Friends is the avenue for everyday people to support the Arts Centre, whether they have an interest in the special heritage of the site, a particular creative activity, or a fundraising idea.

Our first fundraising target is to raise \$250,000 to fund the reinstatement of the flèche on the Christchurch Boys' High School building. This is a substantial sum and we already have a number of ideas that we are working towards. We will let you know about these in the near future!

Graeme Wallis

### **The aims of the *Friends of the Arts Centre*:**

- \* To support and promote the Arts Centre of Christchurch.
- \* To promote and encourage the use and enjoyment of the Arts Centre as an outstanding cultural centre for the benefit of the people of Christchurch, New Zealand and internationally.
- \* To support and assist with programmes, activities and fundraising for the benefit of the Arts Centre in consultation with the Arts Centre Board and Management.

### **Executive Committee:**

Tim Hogan, Rae James, Lynne Lochhead (Secretary), Peter Morrison (Treasurer), David Thornley, Peter Tuffley, Graeme Wallis (Chair).

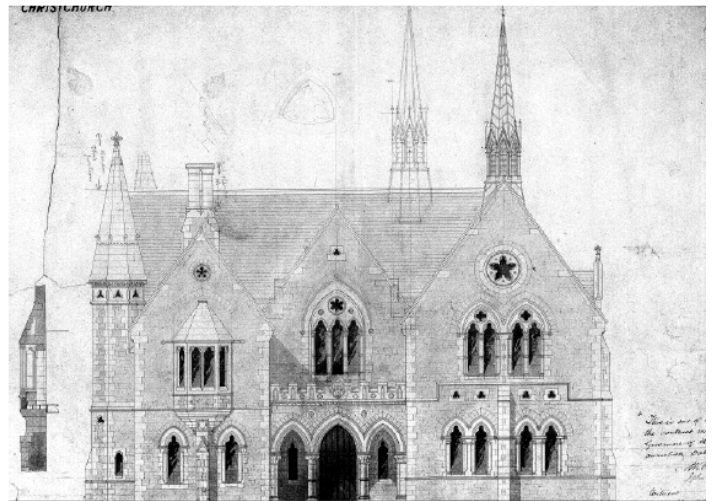
### **Contact Details**

Our website can be viewed at:  
<http://friendsoftheartscentreofchristchurch.weebly.com/>

The *Friends of the Arts Centre of Christchurch* is now a registered charity. (No. CC51240)



## **Our First Major Fundraising Campaign**



Front Elevation

### **Boys' High School Christchurch**

Our first major fundraising campaign is to raise funds for the reinstatement of the flèche. A flèche is a carved rooftop spear, spire or finial. It is an element marking the top or end of some object, often formed to be a decorative sculptured ornamental feature at the top of a gable, pinnacle, or similar structure. But this is no ordinary flèche! Read on.

The AA ventilator was installed when the first Boys' High building was erected. It was finished in 1880 but not used until 1881 due to the damp conditions in the building. It was removed some time between 1946 and 1955.

### From the 1879 Building Specifications

*Covering openings with perforated zinc: All external openings for ventilation including the ventilator in roof are to be covered on the inside with perforated zinc to prevent the ingress of birds.*

#### Ventilator:

*The ventilator is to have a post at each angle cut out of 8" x 8" stuff and extending in one length from beams to upper roof of ventilator.*

*The posts to be tenoned at the bottom into 9" x 7" longitudinal beams resting on upper Collars of roof and into 9" x 9" cross beams resting on longitudinal beams. The beams and collars are to be notched and bolted together with 3/4" bolts.*

*The upper ends of posts are to be tenoned into 6" x 6" plates which are to be halved together and bolted to the posts with 1" King bolts and weathered and throated and rebated for the courses.*

*The rafters of upper roof are to be 5" x 3" white pine one at each angle resting on and tenoned into plate over posts. Four struts are to be fixed in Main roof the lower ends resting on and notched and bolted with 3/4" bolt to the longitudinal beams and the upper ends housed into and bolted to the posts with 3/4" bolts as shown on longitudinal section.*

*The rafters are to be tenoned at the top into a piece 9" x 9" out as required 6" x 6" intermediate plates are to be fixed where shown or required tenoned into the posts and strapped together with 2" x 3/8" angle straps, each bolted with four bolts. The tops plates are to be secured in a similar manner. The rafters are to cocking pieces spiked upon them as shown. Pieces 5" x 3" are to be wedged in and spiked between the rafters. The hips are to be braced diagonally on the angles and the roofs are to be diagonally braced under the slopes with strong braces.*

*Collars are to be fixed at short intervals in the height of Ventilator as shown.*

*The Rafters of lower roof are to be 5" x 3" resting at the lower end on the purlins and on raking pieces laid on roof boarding.*

*A band of iron 2 1/2" x 1/2" is to be fixed to clip the rafters of spire at the top where tenoned into finial pieces.*

*A wrought iron ornamental finial (according to detail) is to be fixed at the top of Ventilator as shown secured to an 1" iron bolt passing through wooden finial and bolted to King post of Centre truss.*

*The inner straps of lower collars of the three trusses which support ventilator are to be attached to 1 3/4" tie rods the strap being securely attached to one end of rods the other ends of the rods being secured to purlin of staircase roof.*

*All ties braces; blockings etc. shown or required are to be fixed in the most secure manner.*

*The Roofs of Ventilator are to have 3/4" angle rolls and 1" diagonal rolls, the roofs are to be boarded as described for other roofs the rafters being splayed to take the boarding.*

*The openings are to be fitted in with 1/4" louvre boards.*

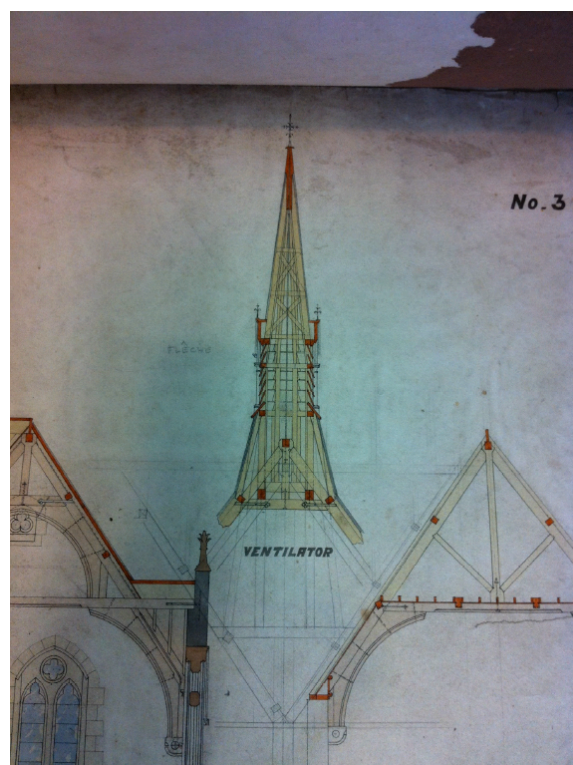
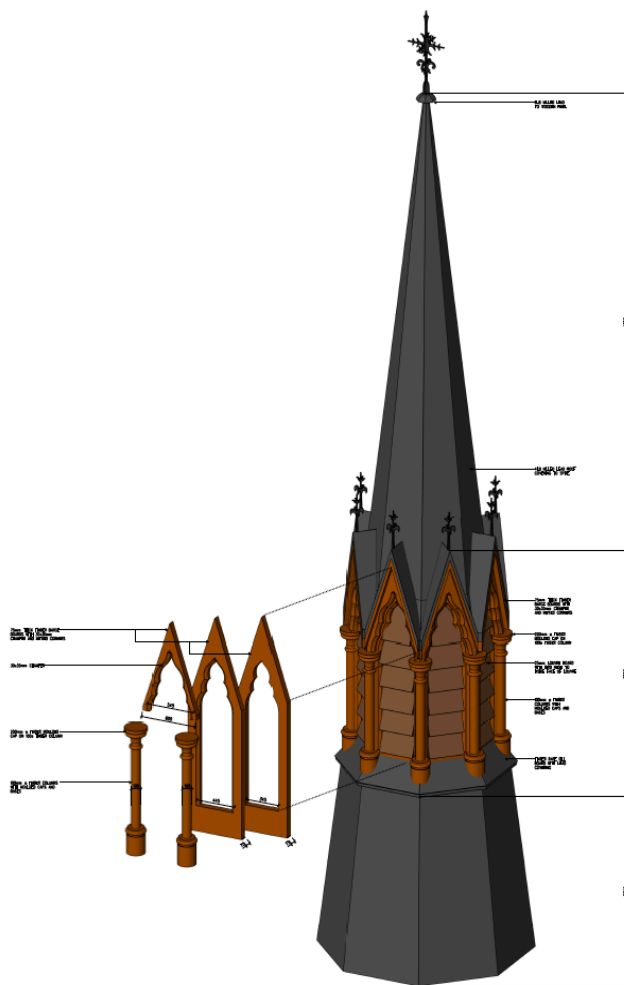
*The gables are to have cut and chamfered barge boards and finials and columns at the angles with moulded caps and bases. The ventilator is to be executed according with details to be given.*

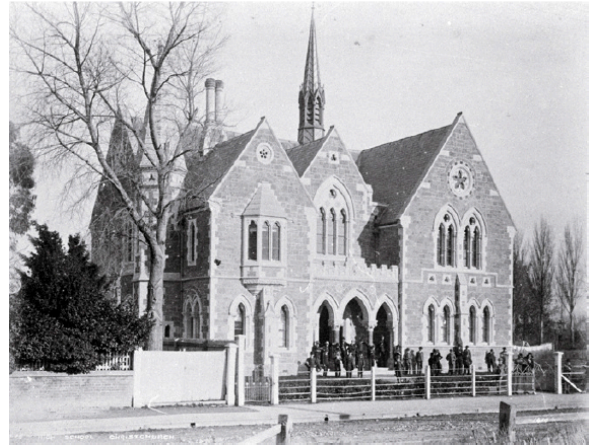
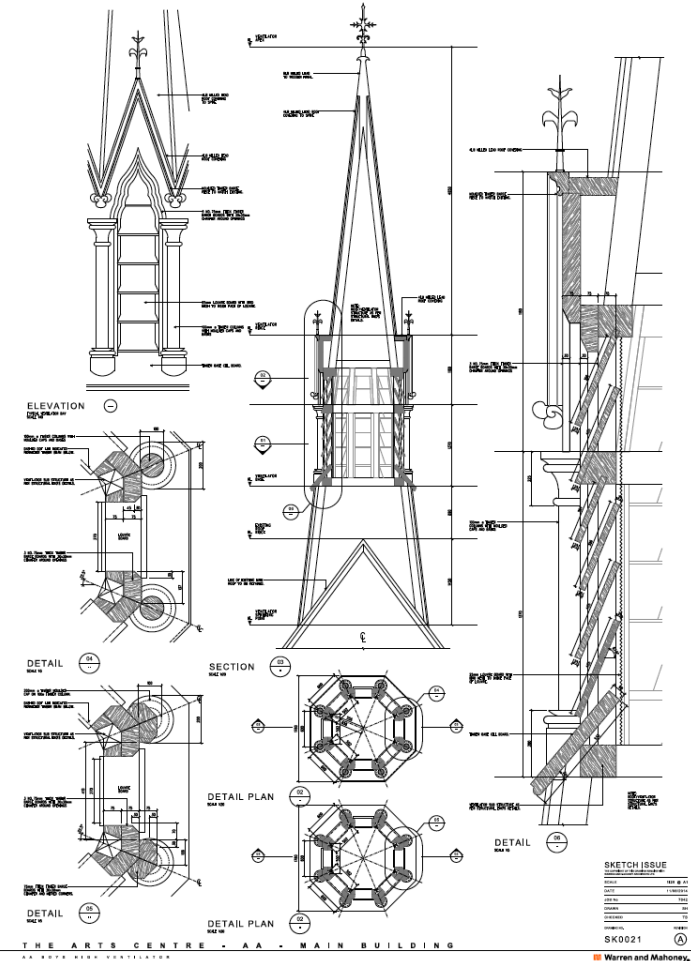
#### Spire & Roof of Ventilator:

*The spire and roof of ventilator are to be covered with 4lbs milled lead dressed over rolls laid diagonally as shewn (sic) in Elevations.*

#### Lead on finial:

*The wooden finial at the top of spire is to be completely covered with 6lbs milled lead dressed of the forms shewn and made thoroughly watertight.*





**Events on the Horizon:**

**The Arts Festival Opening Event:** Visit our hosted table (in front of The Classic Villa in Worcester Boulevard on Friday the 28th August from 6.00pm.

**The Old Library opening event:** The Arts Centre is currently planning an event on the evening of Monday 31st August. Check the Arts Centre website for further details. Members should watch their mail or email for an exclusive invitation.

**Further Information**



<https://www.facebook.com/pages/Friends-of-the-Arts-Centre-of-Christchurch/1668219206745568>

For further information or if you can assist us in any way, please contact the Friends at email: christchurchartscentrefriends@gmail.com





**FRIENDS**  
OF THE ARTS CENTRE  
OF CHRISTCHURCH

## Membership Form January – December 2015

**Surname(s):** \_\_\_\_\_

**First name(s):** \_\_\_\_\_

**Address:** \_\_\_\_\_

**City:** \_\_\_\_\_

**Post Code:** \_\_\_\_\_

**Phone:** \_\_\_\_\_

**Cell:** \_\_\_\_\_

**Email:** \_\_\_\_\_

### Payment details:

**Please find enclosed this completed form and my cheque for:**

\$ \_\_\_\_\_

(Post to the Treasurer, Friends of the Arts Centre of Christchurch, 7 Stratford St, Christchurch 8014)

**or**

**I have credited your SBS 031355 0807473 00 account for:** \$ \_\_\_\_\_

and emailed details to: [christchurchartscentrefriends@gmail.com](mailto:christchurchartscentrefriends@gmail.com) **or** I have posted this completed form to the Treasurer, Friends of the Arts Centre of Christchurch, 7 Stratford St, Christchurch 8014.

**Being: Individual Membership \$35**

**Family Membership \$65 (Include names of each family member)**

**Student Membership \$15**

**I would like to make a Donation of:** \$ \_\_\_\_\_ **Signed:** \_\_\_\_\_

**Date:** \_\_\_\_\_

**I would like to volunteer my skills (List below)**

---

---